

JOSCH – the premium electron beam job shop

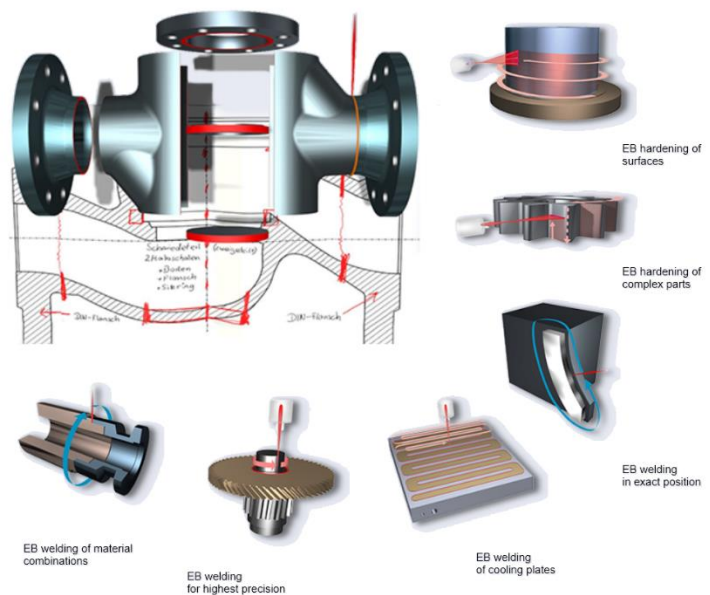


our performances

- high quality customer defined technology development
- delivery of complete electron beam welded components
- cooperation in process and technology research
- standard conform process qualification and certification
- highest standards in quality assurance and management
- technology transfer support

our processes

- electron beam welding
- electron beam hardening
- electron beam brazing
- electron beam texturing
- electron beam melting



our material experiences

- aluminium alloys
- copper alloys
- titanium alloys
- tantalum, niobium
- nickel based alloys
- carbon and alloyed steels
- material combinations

our contacts

- web: www.josch.net
- mail: office@josch.net
- fon: +49 34606 3530

our work areas

- pressure equipment
- aviation, aerospace, defence
- medical, chemical, electronic
- renewable energies

our production capacities

- single components
- small series
- midsize series
- support for large size series

JOSCH - excellence in electron beam material treatment